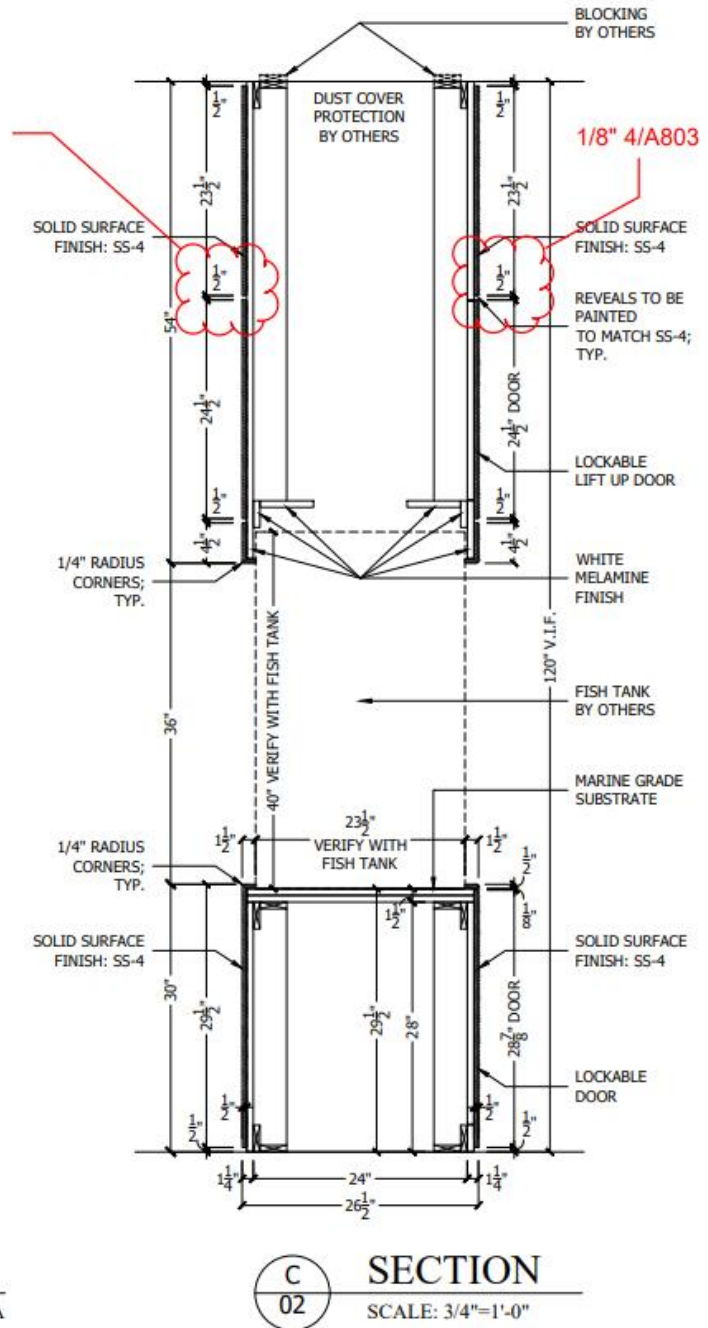
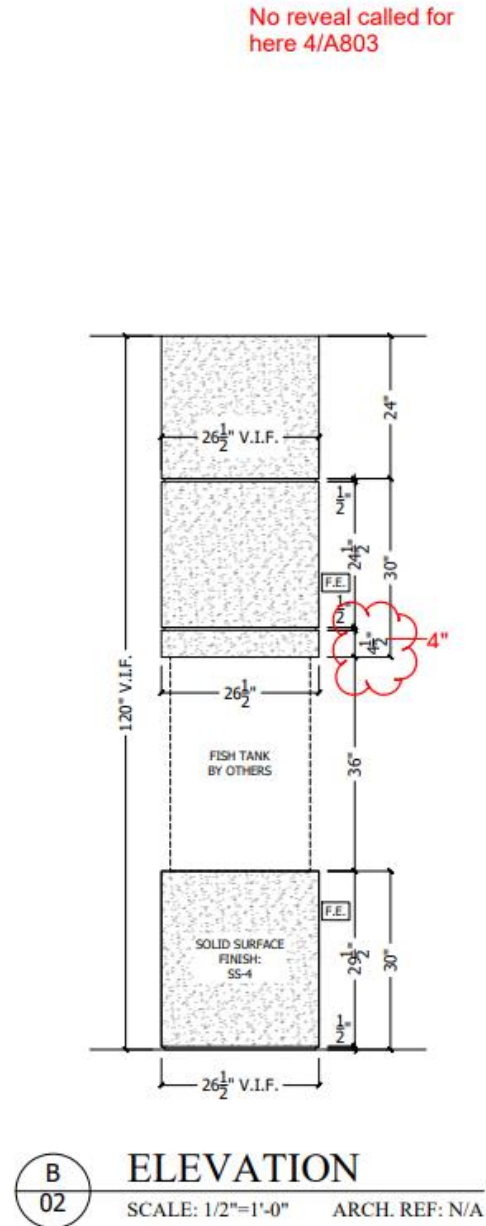
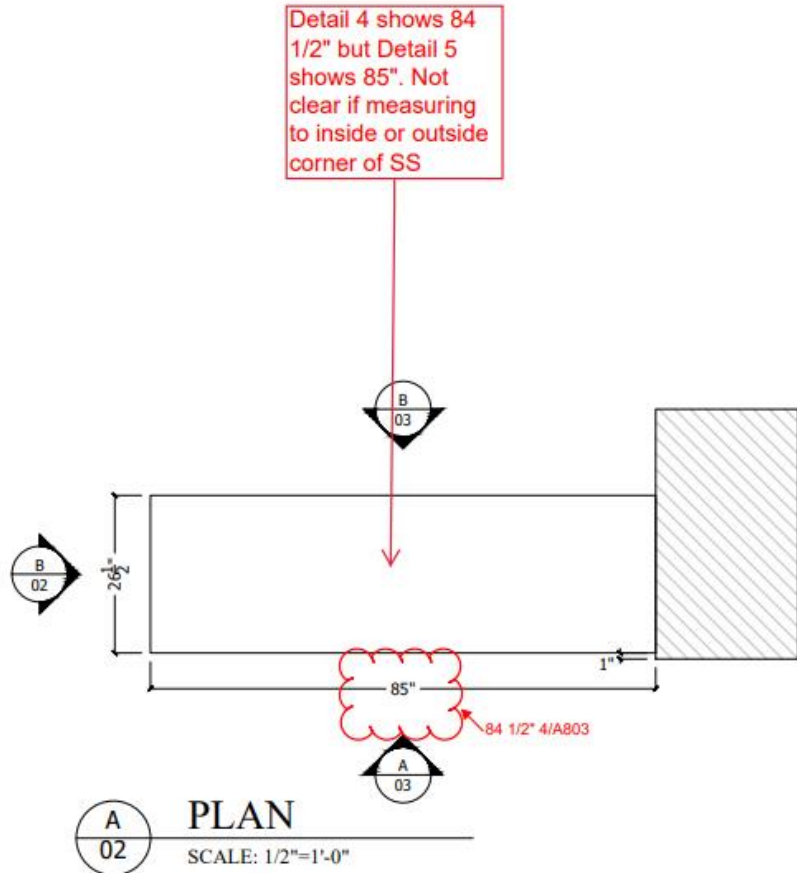


Appendix E - Barnett Aquarium Info.



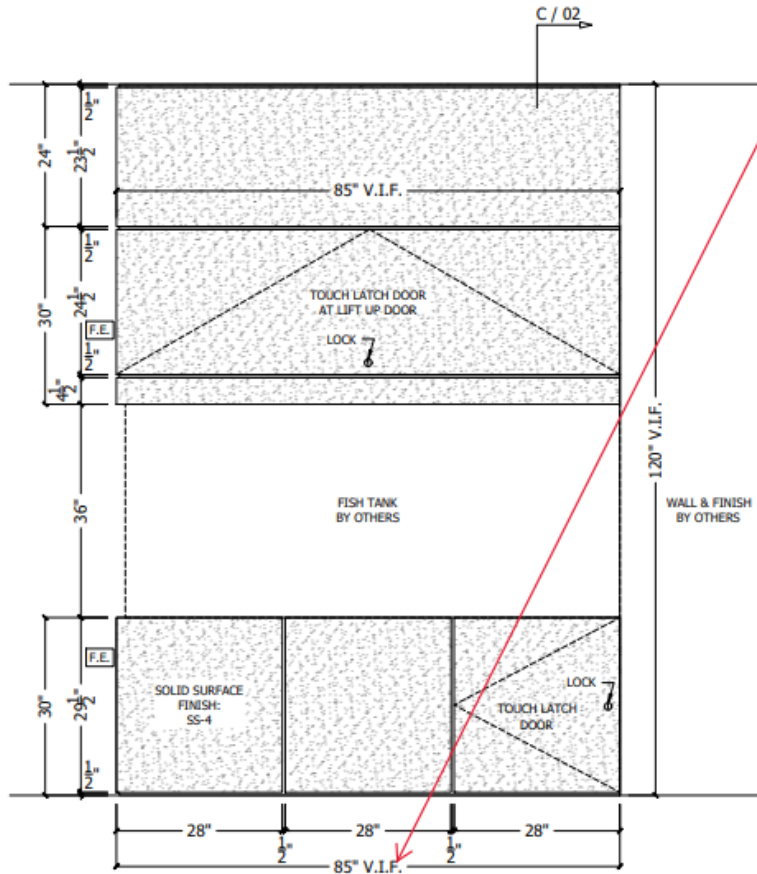
SCALE: AS NOTED
REVISION: -
DATE: 05/21/2024
DRAWN BY: MD
APPROVED BY:

PROJECT: CML BARNETT BRANCH
CONTRACTOR: N/A
JOB SITE: 3434 E. LIVINGSTON AVE
COLUMBUS, OHIO 43227
DESCRIPTION: 101 CHILDRENS (FISH TANK)



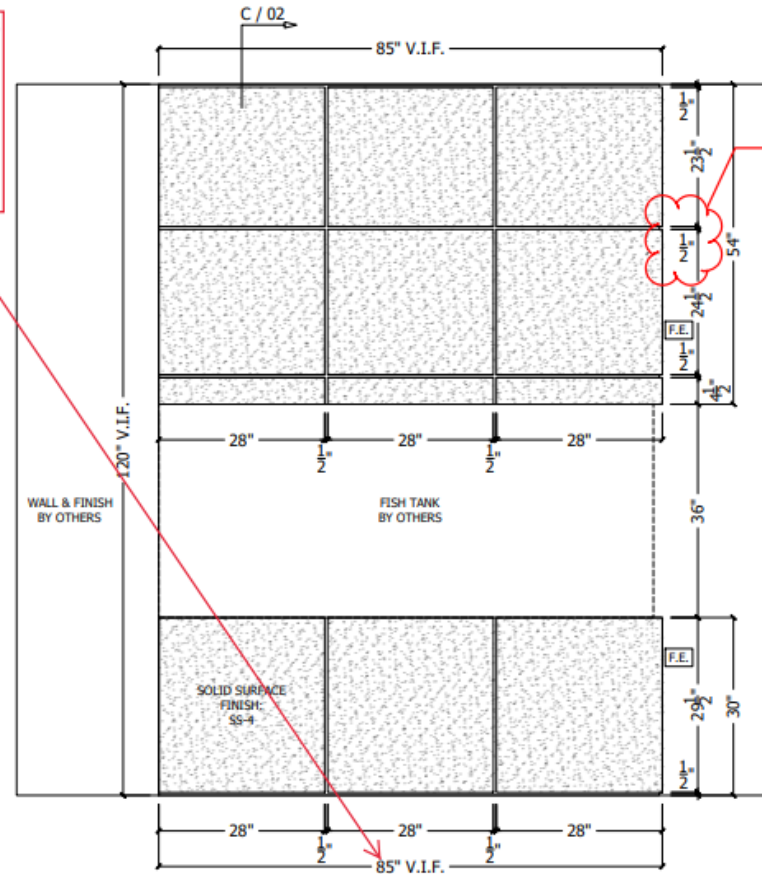
CONTE CUSTOM LTD
5175 AMANDA NORTHERN RD
AMANDA, OH 43102
PHONE: 740.969.1000

Appendix E - Barnett Aquarium Info.



A
03
ELEVATION
SCALE: 1/2"=1'-0" ARCH. REF: A803/5

Detail 4/A803 shows 84 1/2" but Detail 5 shows 85". Not clear if measuring to inside or outside corner of SS



B
03
ELEVATION
SCALE: 1/2"=1'-0" ARCH. REF: A803/5

Reveal not called for

SCALE: AS NOTED
REVISION: -
DATE: 05/21/2024
DRAWN BY: MD
APPROVED BY:

PROJECT: CML BARNETT BRANCH
CONTRACTOR: N/A
JOB SITE: 3434 E. LIVINGSTON AVE
COLUMBUS, OHIO 43227
DESCRIPTION: 101 CHILDRENS (FISH TANK)



CONTE CUSTOM LTD
5175 AMANDA NORTHERN RD
AMANDA, OH 43102
PHONE: 740.969.1000