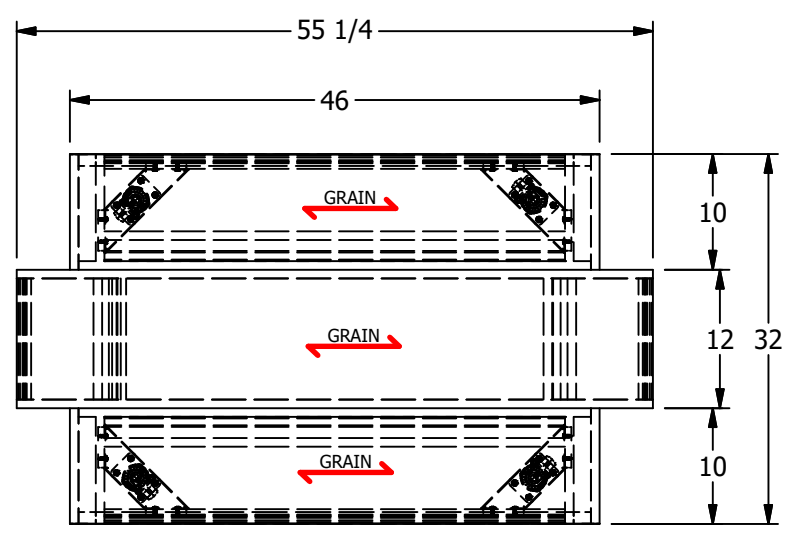


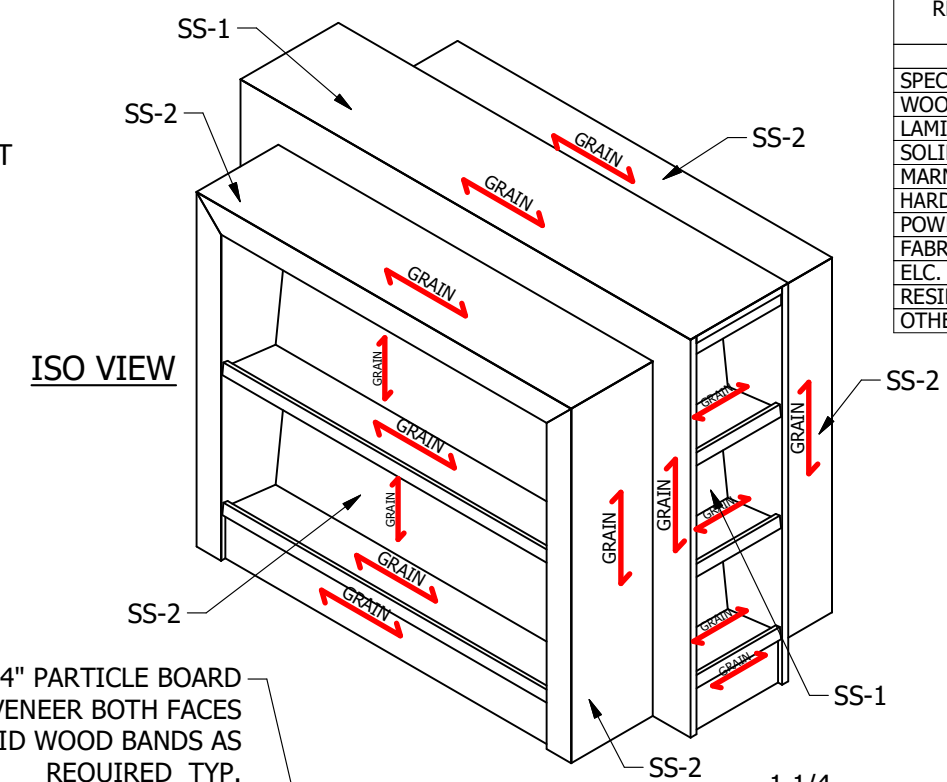
REF. FEATURE LEGEND (UNLESS OTHERWISE SPECIFIED)
(SEE ORDER ACKNOWLEDGEMENT FOR FINAL SPECIFICATION)

FEATURE	SELECTION
SPECIES	MAPLE
WOOD FINISH	CWF 22-042-18-125
LAMINATE	N/A
SOLID SURFACE	N/A
MARMOLEUM	N/A
HARDWARE FINISH	STD. BLACK
POWDER COAT	N/A
FABRIC	N/A
ELC. FINISH	N/A
RESIN DETAIL	N/A
OTHER	N/A



PLAN VIEW

SS-1 is CWF 18-125 CENTER CABINET
SS-2 is CWF 22-042 OUTSIDE CABINET

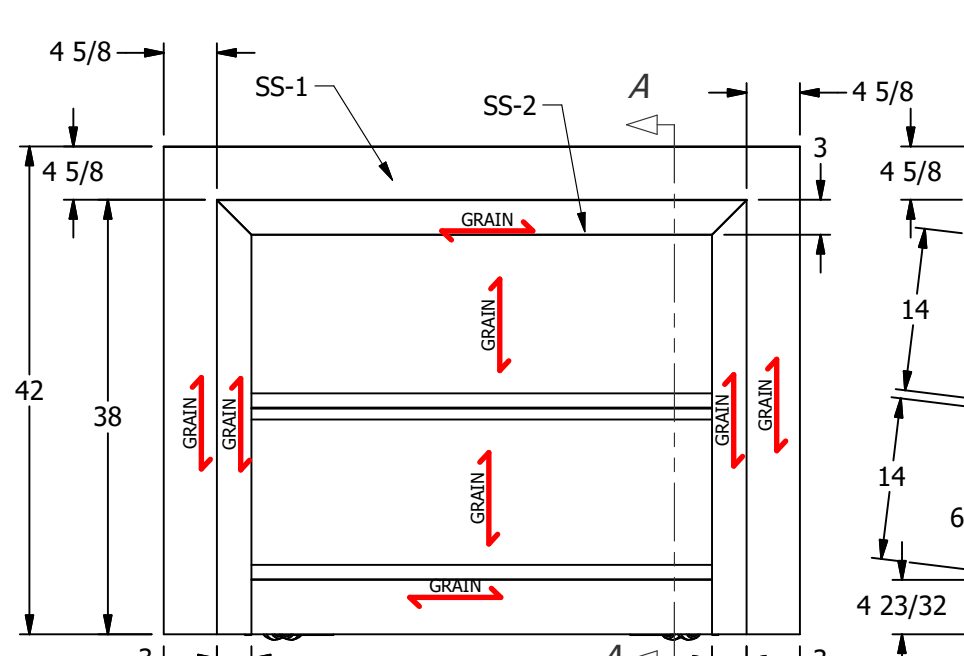


ISO VIEW

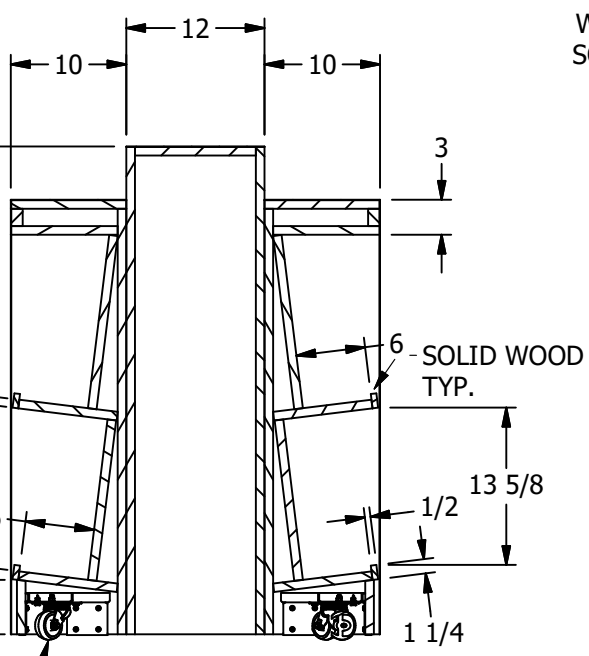
FOR APPROVAL

APPROVED
 APPROVED AS NOTED
 REVISE AND RESUBMIT

DRAWING PACKAGE MUST BE RETURNED TO THE WORDEN GROUP WITH APPROPRIATE BOX CHECKED. ADD COMMENTS AND MARK-UPS ON THIS DRAWING PACKAGE (AS NEEDED) (CHECK ONE BOX ONLY)
NOTE: ANY DIMENSIONAL CHANGES WILL REQUIRE A REVISE AND RESUBMIT STATUS REGARDLESS OF WHICH BOX IS CHECKED.
SIGNED BY: _____ DATE: _____

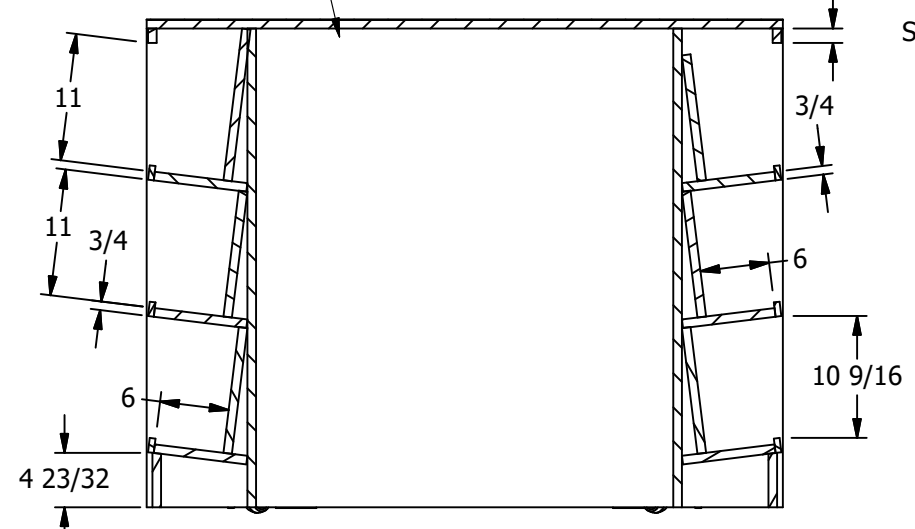


TAG BOOK DISPLAYER - QTY. 5
CTMITM01023
ELEVATION

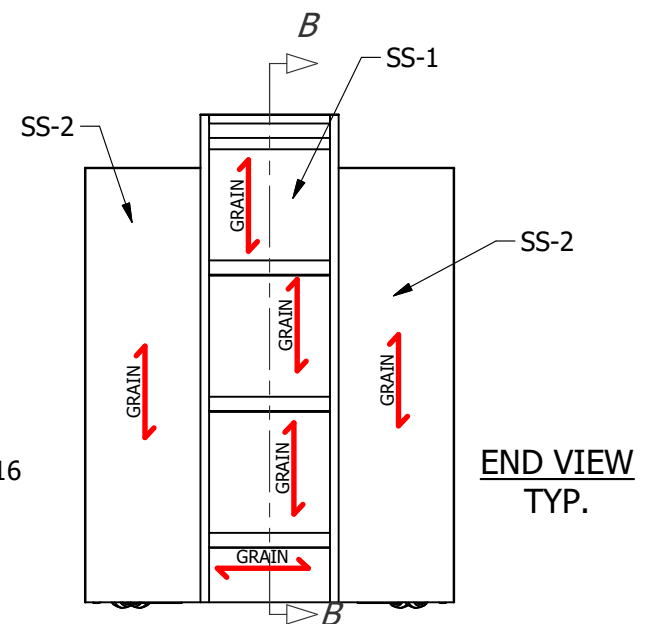


SECTION "A-A"

3/4" PARTICLE BOARD
W/VENEER BOTH FACES
SOLID WOOD BANDS AS
REQUIRED TYP.



SECTION "B-B"



END VIEW
TYP.

SWIVEL CASTER
TYP. (4)

REV	DESCRIPTION	DATE	BY
1	ADDED FINISH LOCATION	7/26/2022	tsall
2	REVISED OPENINGS	8/1/2022	tsall

REVISION HISTORY

DEALER
Library Design Associates, Inc. (OH)

PROJECT
CML Book Diplayer

DRAWING FILE
E3838-APPS.idw
C:\Worden Working Folder\Designs\Worden\Estimates\E03000 - E03999\E3838\04 IDW\E3838-APPS.idw

ENGINEERED BY DATE DIMENSIONS & TOLERANCES UNLESS OTHERWISE SPECIFIED
tsall 7/25/2022 .X±.060 .XX±.030 .XXX±.015 ANGLES±0.5°
FRACTIONS±1/16 (DIMENSIONS: INCHES)

THE INFORMATION CONTAINED HEREIN IS CLASSIFIED "CONFIDENTIAL". IT IS THE SOLE PROPERTY OF THE WORDEN GROUP, AND ANY USE THEREOF AND/OR REPRODUCTION THEREOF IS EXPRESSLY PROHIBITED WITHOUT THE WRITTEN CONSENT OF THE WORDEN GROUP.

W THE WORDEN GROUP
WORDEN | SNAP!OFFICE | ECHO
199 EAST 17TH STREET
HOLLAND, MI 49423
WWW.WORDENCOMPANY.COM

ORDER NUMBER SHEET REV.
E3838-APPS 1 OF 1 2