

Panel: 3BA2
 Location: Elec 3056
 Supply From: T1-3B1
 Voltage: 120/208 Wye-3PH-4W

Mounting: Surface
 Enclosure: Type 1

A.I.C. Rating:
 Mains Type: MCB
 Mains Rating: 225 A

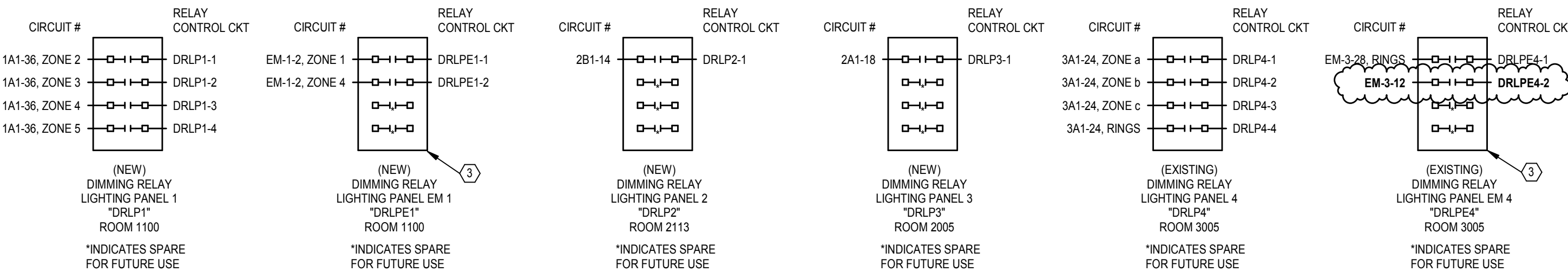
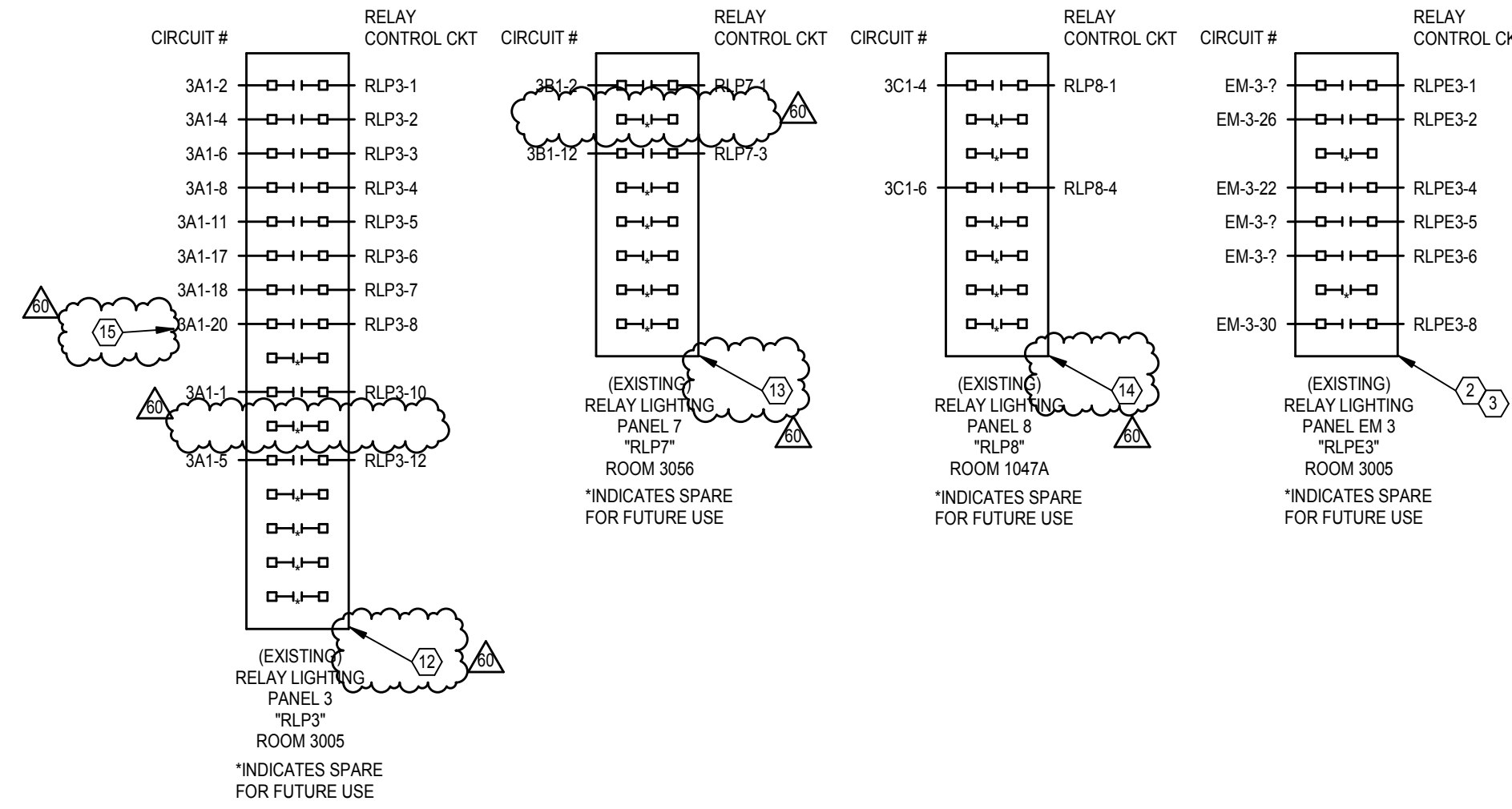
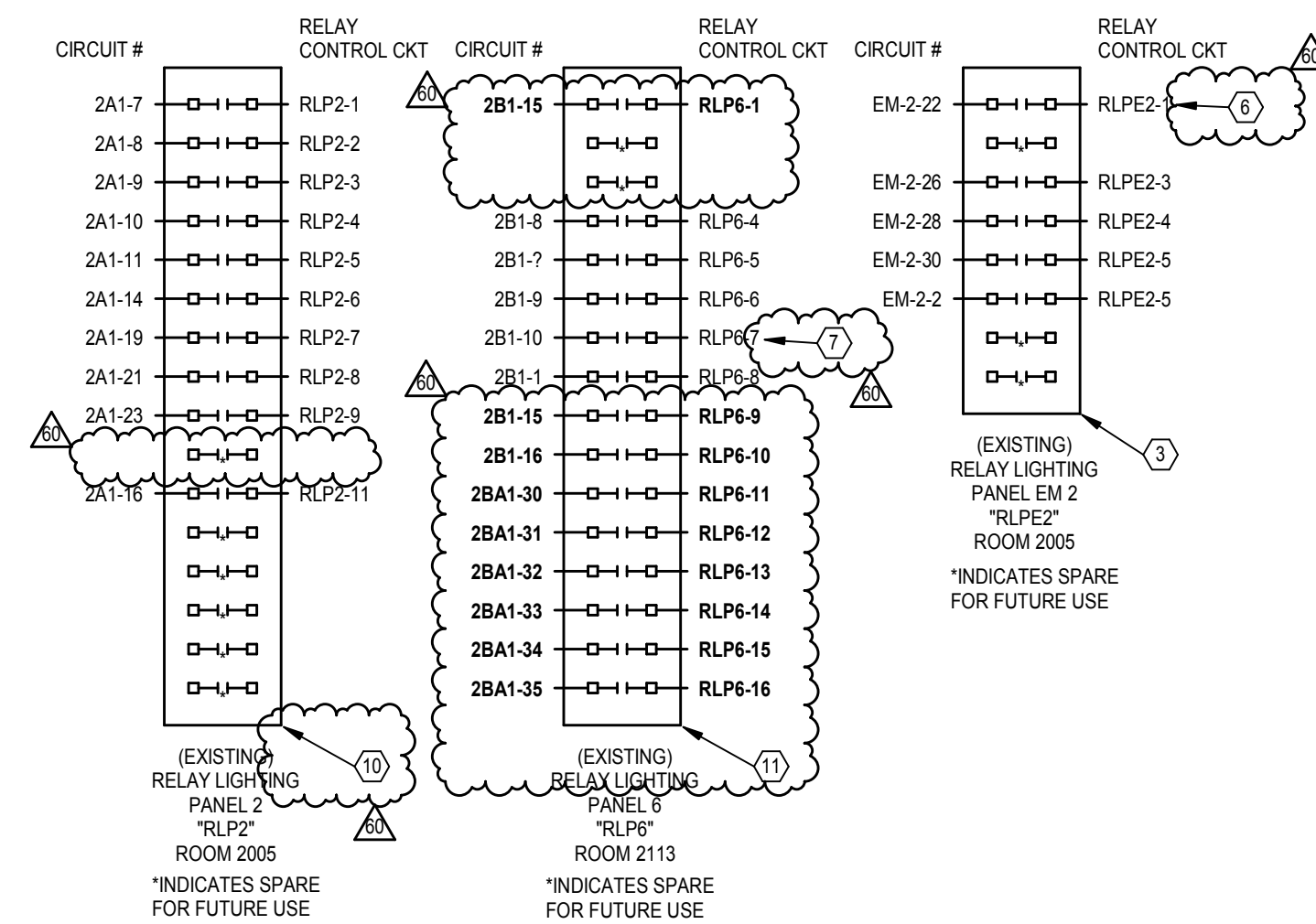
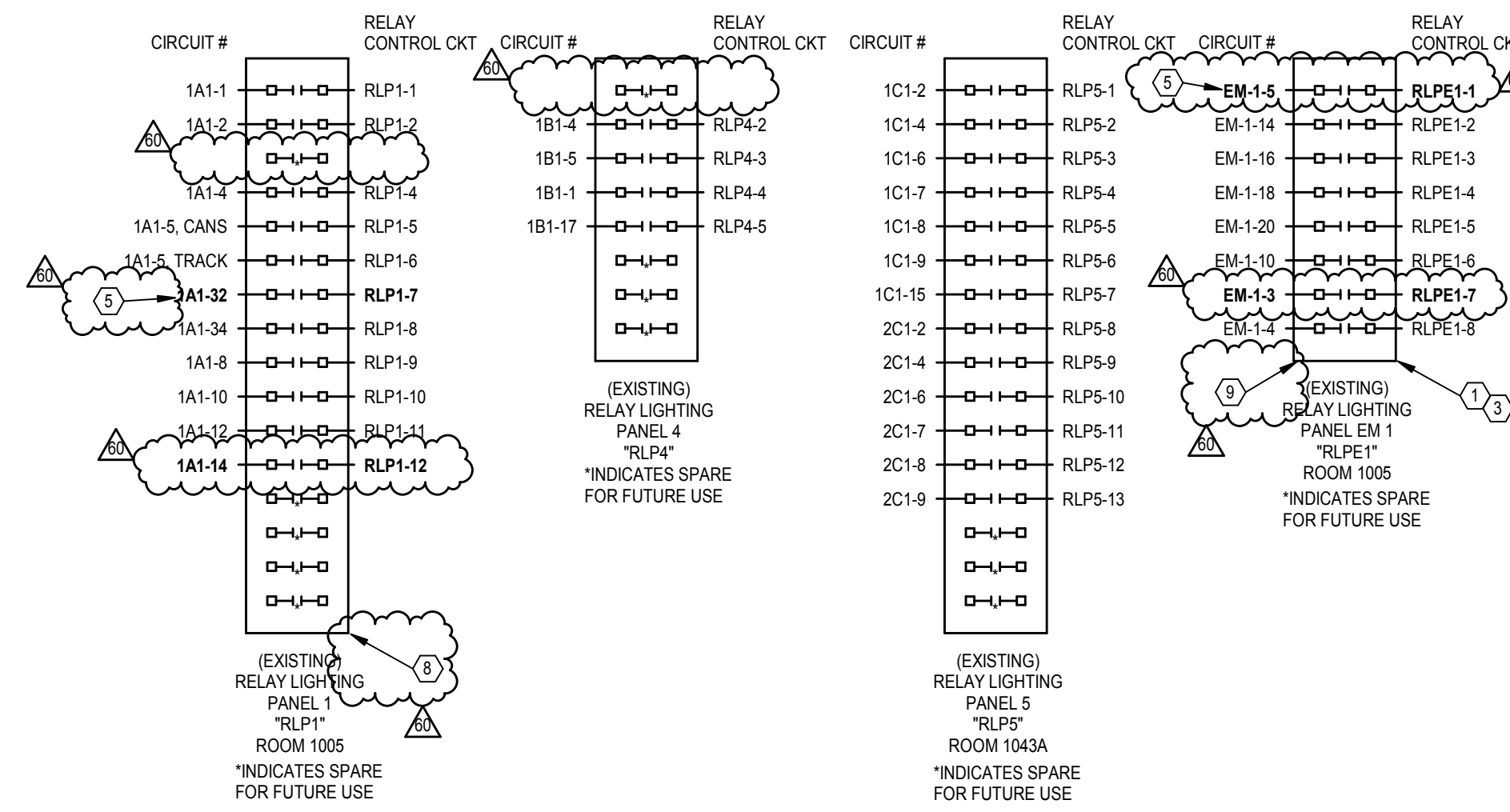
CKT	Circuit Description	Trip	Poles	A	B	C	Poles	Trip	Circuit Description	CKT
1	Receptacle Info Line...	20 A	1	360 VA	540 VA		1	20 A	Receptacle Room 3052	2
3	Receptacle Room...	20 A	1	540 VA	540 VA		1	20 A	Receptacle Study...	4
5	Receptacle Study...	20 A	1			540 VA	180 VA	1	20 A	EXIST R
7	Receptacle	20 A	1	180 VA	900 VA			1	20 A	Receptacle Study...
9	Receptacle	20 A	1		720 VA	360 VA		1	20 A	Receptacle
11	Receptacle	20 A	1			360 VA	540 VA	1	20 A	Receptacle
13	PROJECTOR	20 A	1	180 VA	680 VA			1	20 A	PROJECTION SCREEN
15	Receptacle	20 A	1			720 VA		1	20 A	Receptacle Meeting...
17	Receptacle	20 A	1			180 VA	180 VA	1	20 A	EXIST R
19	Motor Info Line - Open...	20 A	2		360 VA			2	20 A	Receptacle Event Spac...
21	Motor Info Line - Open...	20 A	2		582 VA	582 VA		2	20 A	VAV
23						582 VA	582 VA			
25										
27										
29										
Total Load:				3.20 kVA	4.04 kVA	3.14 kVA				
Load Classification		Connected	Demand Factor	Estimated	Panel Totals					
Motor		2330 VA	112.50%	2621 VA	Total Conn. Load: 10390 VA					
Receptacle		8060 VA	100.00%	8060 VA	Total Est. Demand: 10681 VA					
					Total Conn. Demand: 10681 VA					
					Total Est. Demand: 30 A					

Notes:

TOTAL CONNECTED	ESTIMATED DEMAND
10.39 kVA	10.68 kVA (30 A)

FIXTURE NUMBER	FIXTURE DESCRIPTION	FIXTURE VOLTAGE
RX1	8" DIAMETER LED RETROFIT DOWNLIGHT, 1500 LUMEN, 0-10V 10% DIMMING DRIVER, 80+ CRI, 4000K COLOR TEMPERATURE, SELF-FLANGED, MEDIUM BEAM REFLECTOR W/ SEMI-SPECULAR CLEAR FINISH. (BASIS OF DESIGN - PORTFOLIO : LD8ART15D010TE ER8A15840 8LM0H)	120-277

3 LIGHTING FIXTURE SCHEDULE



1 RELAY LIGHTING CONTROLS

CODED NOTES

- REMOVE EXISTING CKT EM-1-24 FROM RELAY RLP1-6 & LEAVE CKT HOT. REMOVE EXISTING CKT EM-1-28 FROM RELAY RLP1-7 & LEAVE CKT HOT.
- REMOVE EXISTING CKT EM-3-4 FROM RELAY RLP3-3 & LEAVE CKT HOT. REMOVE EXISTING CKT EM-3-28 FROM RELAY RLP3-7. CKT TO EXTEND THRU RELAY PANEL DRLPE4 AS SHOWN BELOW.
- PROVIDE EMERGENCY LIGHTING INTERFACE (LIT-ELI) FOR EACH EMERGENCY RELAY PANEL, BOTH DIMMING AND NON-DIMMING TO FORCE LIGHTS TO ON & FULL BRIGHTNESS IN THE EVENT OF AN EMERGENCY.
- EXISTING QUANTUM VIEW SYSTEM ON SITE. ADD ADDITIONAL ZONES SHOWN ON PLANS AS WELL AS ALL EMERGENCY LIT TO EXISTING VISUAL SOFTWARE. REVISE PROGRAMMING OF DAYLIGHT HARVESTING & DIMMING ZONES AS DESCRIBED ON PLANS. PROGRAM NEW & EXISTING 5-BUTTON STATIONS AS DESCRIBED ON PLANS. ALL ON SITE PROGRAMMING TO BE PERFORMED AFTER HOURS.
- PROGRAM RELAY TO TURN CONNECTED LIGHTING ON AT DUSK AND OFF AT DAWN.
- RE PROGRAM RELAY RLP2-2. PROGRAM INDICATES THAT THESE LIGHTS ARE OFF, BUT LIGHTING REMAINS ON. RE-PROGRAM TO CORRECT THIS ISSUE.
- IDENTIFY FIXTURES IN LUTRON CONTROLLER PROGRAM.
- REMOVE CKT 1A1-3 FROM RELAY RLP1-3.
- REMOVE CKT EM-1-12 FROM RELAY RLP1-1.
- REMOVE CKT 2A1-31 FROM RELAY RLP2-10.
- REMOVE CKT 2B1-2 FROM RELAY RLP2-2, AND CKT 2B1-6 FROM RELAY RLP3-3.
- REMOVE CKT 3A1-20 FROM RELAY RLP3-8, AND CKT 3A1-3 FROM RELAY RLP3-11.
- REMOVE CKT 3B1-4 FROM RELAY RLP2-2.
- PROGRAM RELAYS RLP1-1 AND RLP9-4 AS SEPARATE ZONES IN LUTRON CONTROLLER PROGRAM.
- RE PROGRAM RELAY TO BE ON 247.



SchooleyCaldwell Associates
 architects engineers planners interior designers

300 Marconi Boulevard T 614-628-0300
 Columbus OH 43216 F 614-628-0311
 schooley@scaldwell.com



GUND PARTNERSHIP

ARCHITECTURE | PLANNING
 47 THORNDIKE STREET
 CAMBRIDGE, MA 02141
 617 250 6600
 617 577 9614 FAX

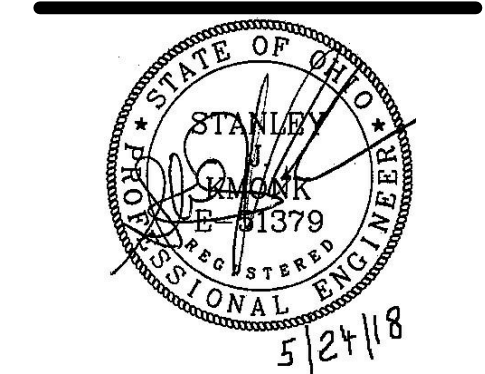
Consultants:
 Structural
SMBH
 1100 State Road, Suite 200
 Columbus, Ohio 43215-1038
 Mechanical, Electrical, Plumbing & Fire Protection
Heapy Engineering
 146 W. Southville Lane
 Dayton, Ohio 45424-1310
 Landscape
MKS&K
 443 South Linton Alley
 Columbus, Ohio 43215



Main Branch
 96 South Grant Avenue
 Columbus, OH 43215

Drawing Issue Dates
 Record Document
 October 28, 2016

REV NO	DESCRIPTION	DATE
60	PHASE 2	5/24/18



RELAY LIGHTING CONTROL

E0.17

KORDA | CML
 09/22/2017 | 2017-5008

KORDA
 KORDA, NEWETH ENGINEERING
 1650 WATERMARK DRIVE
 SUITE 200
 COLUMBUS, OHIO 43215
 DRAWN BY: JAL
 DESIGNED BY: PSC
 CHECKED BY: CDEKER
 PROJECT NUMBER: 2017-5008